

WH SA Flip

Item no.: 5690

rotatable and tiltable wall mount for Samsung WM55H, WM55R, WM55B

The WH SA Flip is a rotatable and tiltable wall mount developed for Samsung WM55H, WM55R and WM55B.

The VESA mount has VESA 200 x 200 mm, 300 x 300 mm and 400 x 400 mm.

Please note: Flip adapter 65" for Samsung WM65R and WM65B (Item no.: 5761) is optionally available.

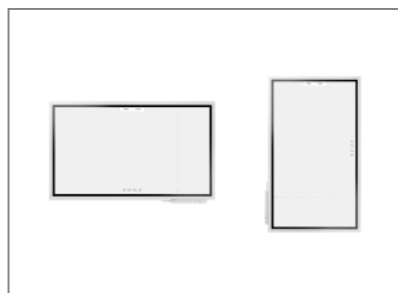
The wall mount allows the screen to be rotated from portrait to landscape orientation and back at any time.

Thanks to the clever spring mechanism, the rotation is possible with almost no effort.

The wall mount locks into the desired end position and can be set in motion again effortlessly without unlocking.

The inclination levels are adjustable ($0^\circ / \pm 2.5^\circ / \pm 5^\circ$).

The maximum load of the system is 45 kg.



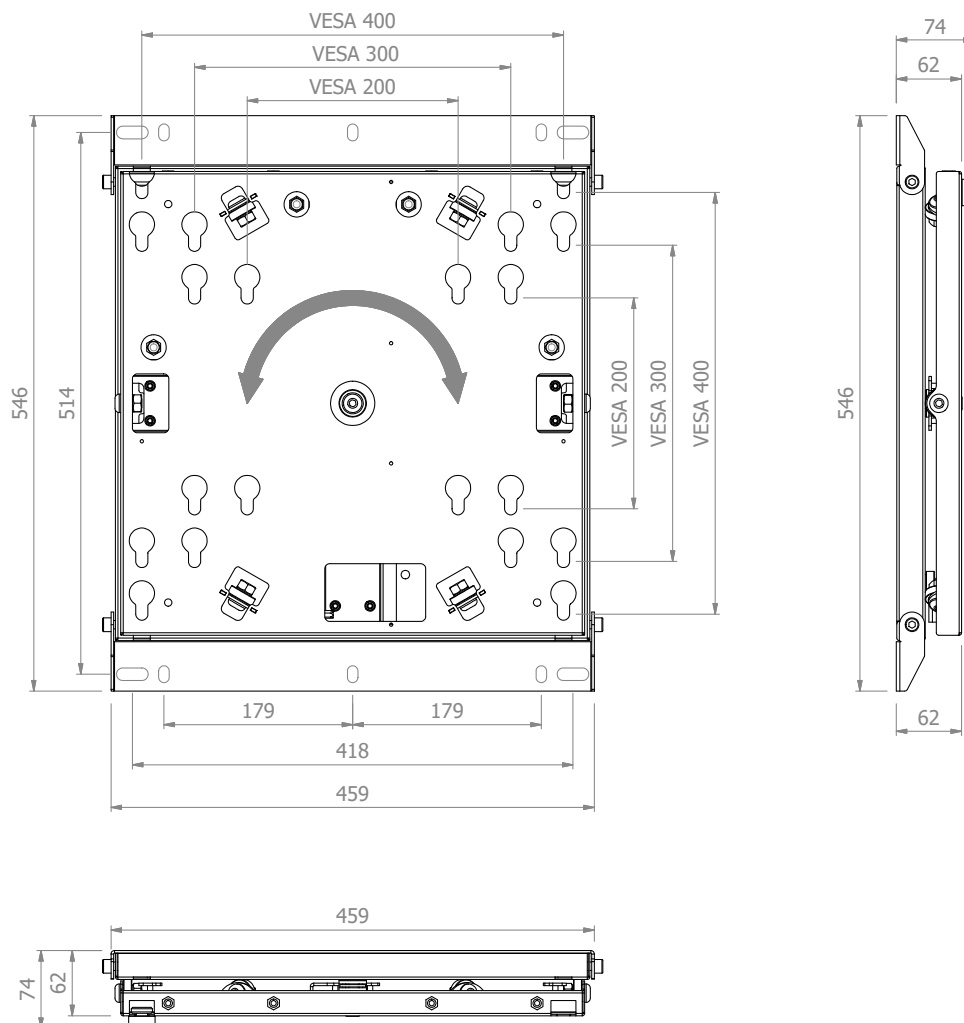
optionally available: Flip adapter 65"
for Samsung WM65R, WM65B (Item no.: 5761)

WH SA Flip

Item no.: 5690

rotatable and tiltable wall mount for Samsung WM55H, WM55R, WM55B

- tiltable and rotatable wall mount developed for Samsung WM55H, WM55R, WM55B
- VESA 200 x 200 | 300 x 300 | 400 x 400 mm
- freely rotatable by 90° - locks in final position
- tilting possible (0° / ±2.5° / ±5°)
- continuous change of screen format with no tools needed
- little effort needed thanks to spring mechanism
- clicks in place in the respective final position (0 / 90°)
- distance to wall: 67 mm
- Colour: white
- 45 kg load, max.



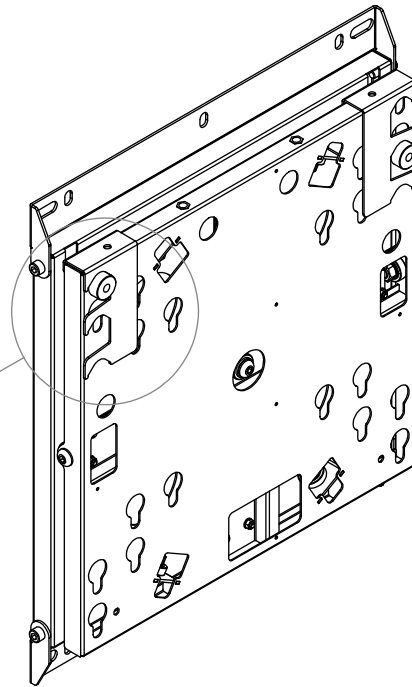
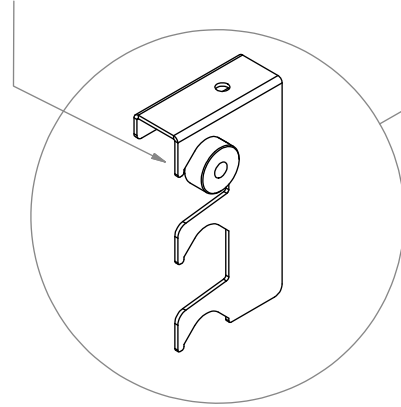
WH SA Flip

Item no.: 5690

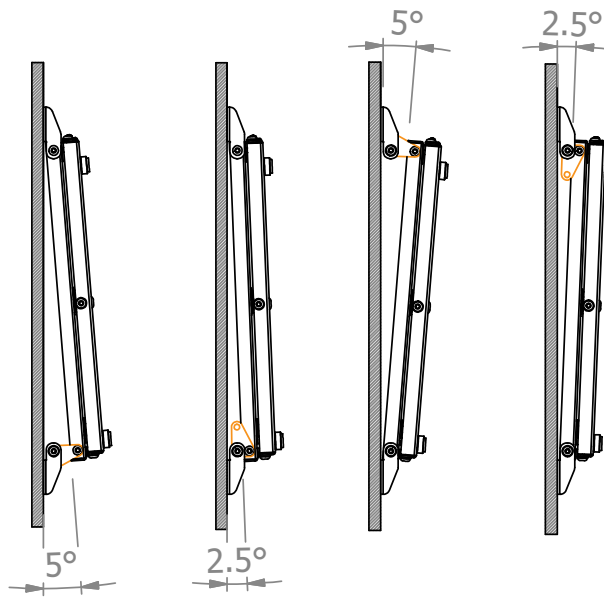
rotatable and tiltable wall mount for Samsung WM55H, WM55R, WM55B

Sicherungsbolzen
Sicherungsschieber

Button
Securing slide



BUTTON



± 2,5° / ± 5°